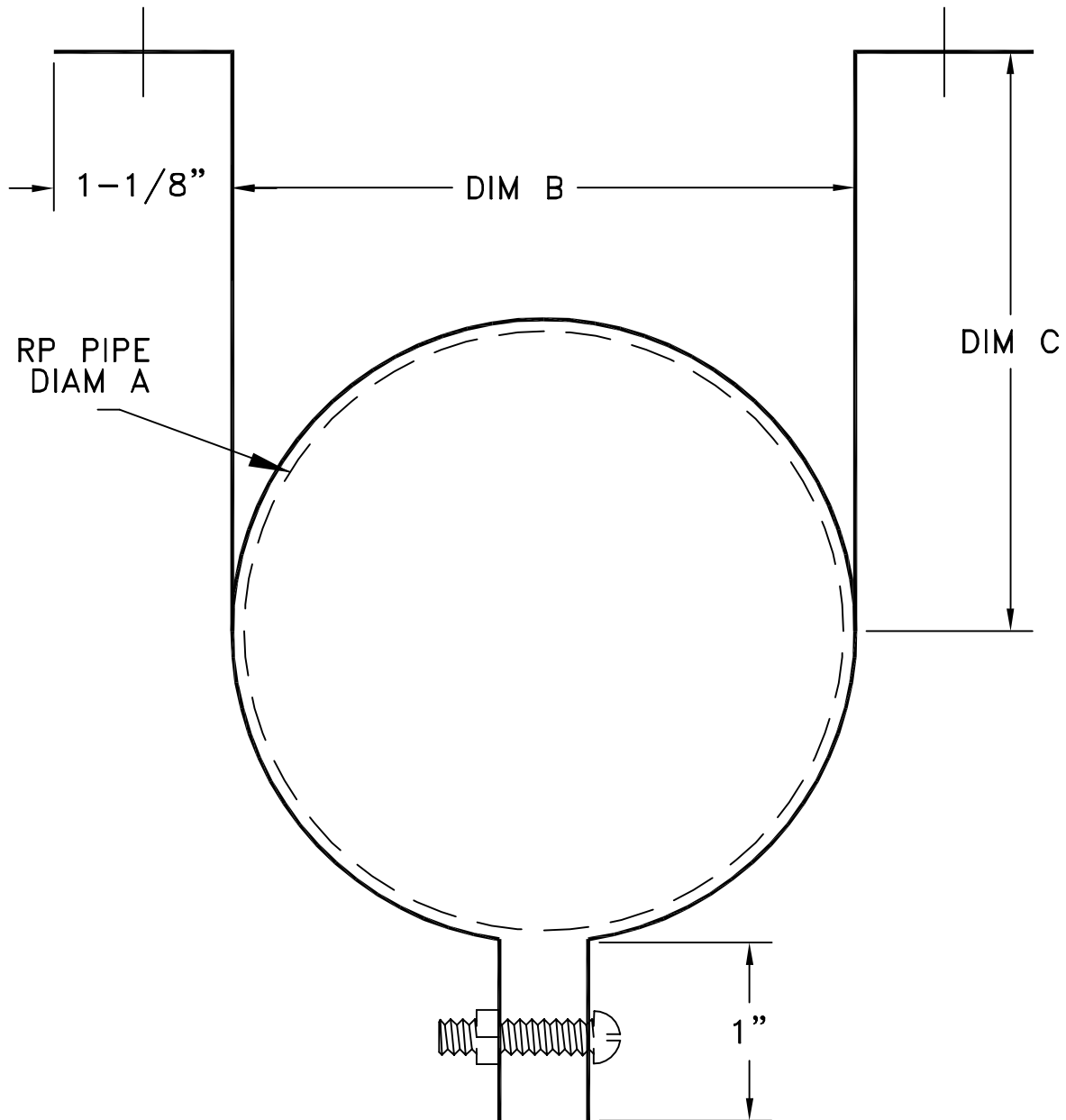


- MATERIAL:
– .062 THICK, GALVANIZED STEEL



CAT. NO.	DIAM A	DIM B	DIM C
3RWB	3	3-1/2	3-1/4
4RWB	4	4-1/2	3-3/4
5RWB	5	5-1/2	4-1/4
6RWB	6	6-1/2	4-3/4
7RWB	7	8	5-1/2

JOB NAME: _____	SUBMITTED BY: _____	DATE: 11/21/02	SD-3128
LOCATION: _____		TYPE B GAS VENT Wall Bracket RWB 3" - 7" Diameter	
ARCHITECT: _____			
ENGINEER: _____			
CONTRACTOR: _____			